

Tecnidra s.a.i.c.

HYDRECO

HYDRAULIC SOLUTIONS PROVIDER

HPV SERIES

PILOT CONTROL VALVE



HYDRAULIC PILOT CONTROL

HPVB Pilot Control Valves are part of the comprehensive range of Hydreco Hydraulics product.

The product, with its single lever dual axis control, and supported by an extensive range of control curve characteristics and handle options, makes it suitable for a wide range of both mobile and industrial applications.

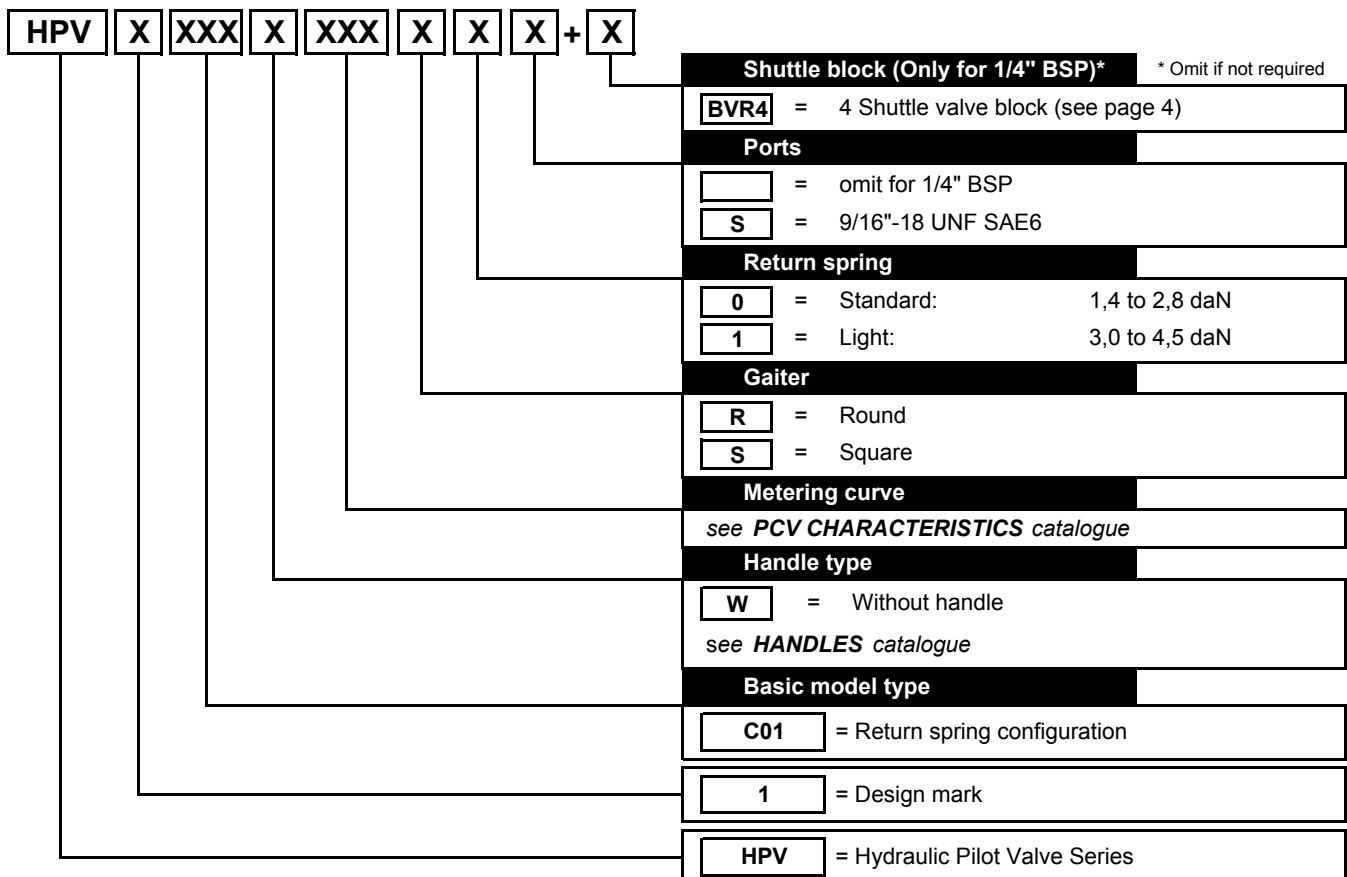
Our engineers can offer specialist support to optimise this product to suit your application. The product is supported by a comprehensive Sales and Service facility around the world.

BENEFITS

- Compact and light weight
- All ports on bottom face for ease of installation
- Suitable for arm rest of console mounting
- Compatible with a wide range of product
- Stylish good looks suitable for modern cabs
- Operator is insulated from high temperature components
- Proven, simple pressure reducing elements
- Wide range of low hysteresis, high accuracy pressure control curves
- Wide range of electrical options in both standard and ergonomic multifunctional handle
- Low effort lever control

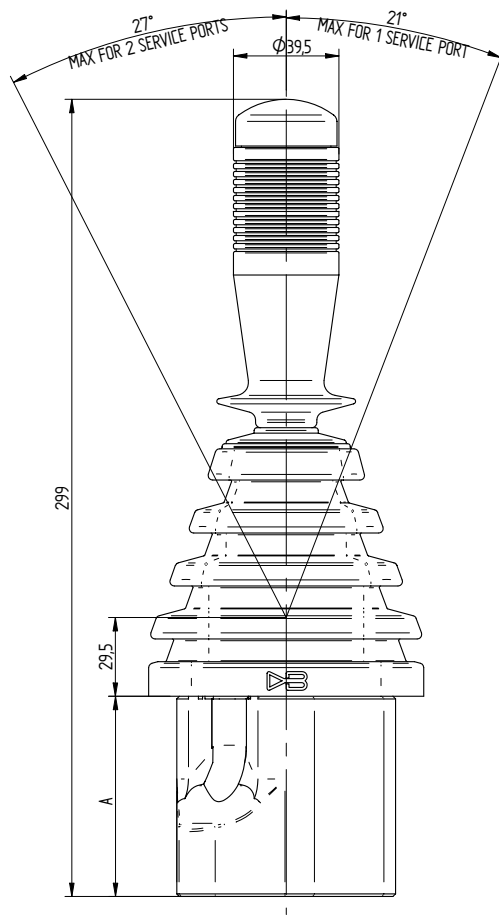
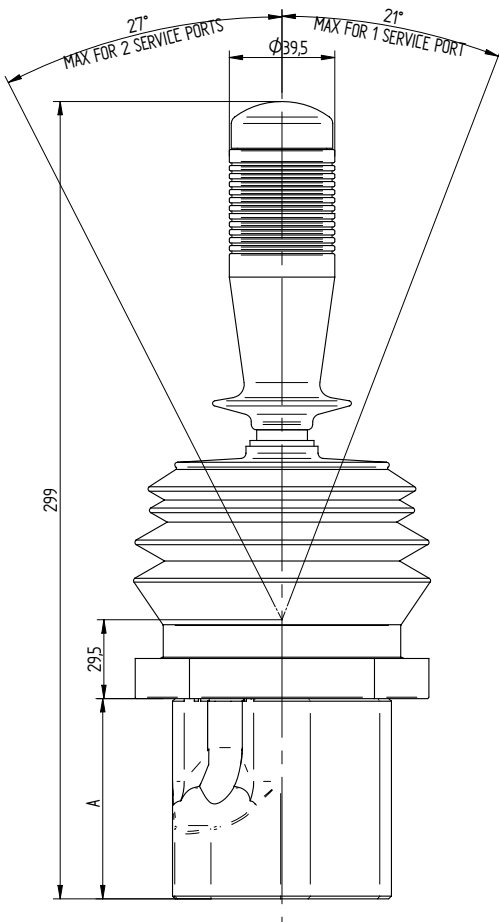
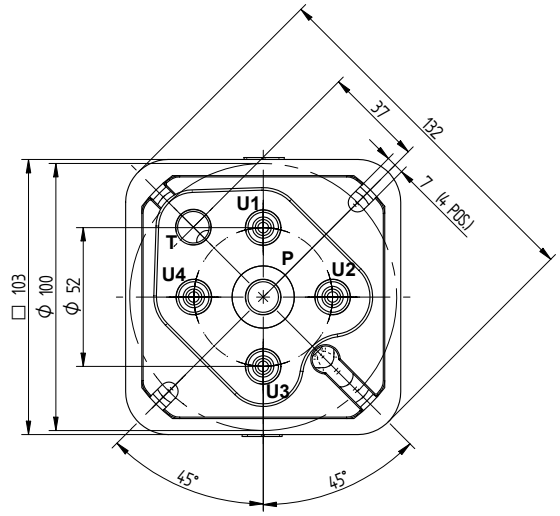
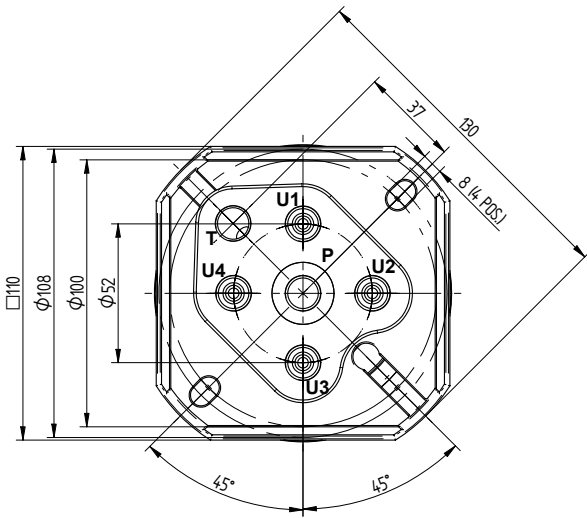
Hydreco Hydraulics reserve the right to update the information and data contained in this catalogue at any time.

HPV SERIES MODEL CODING



C01 WITH ROUND GAITEER

C01 WITH SQUARE GAITEER

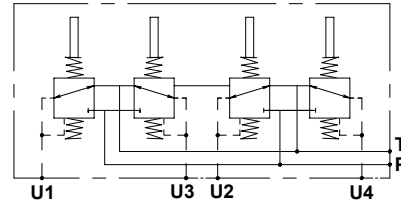


A= 75 mm 1/4" BSP PORTS
A= 82 mm 9/16"-18 SAE6 PORTS

TECHNICAL DATA

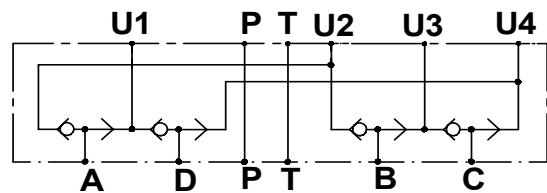
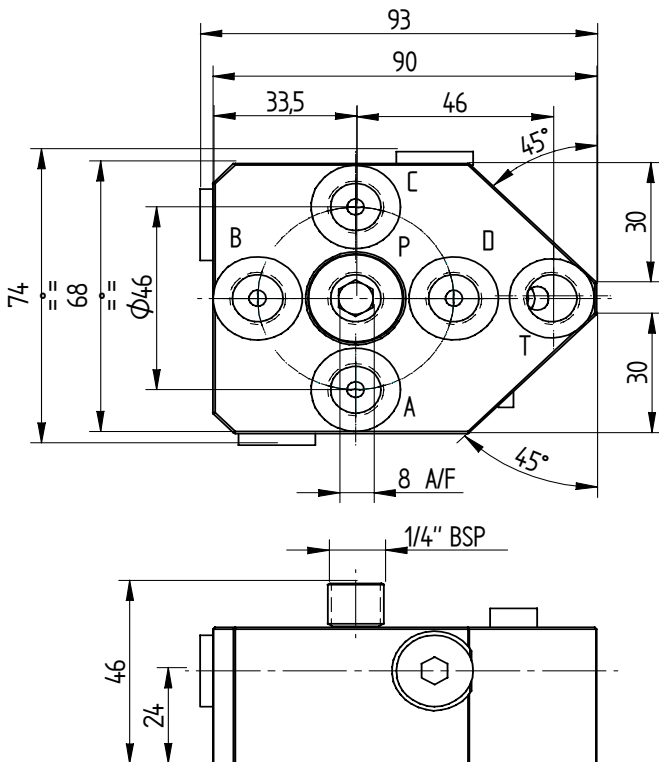
- Service ports : P, T, U1, U2, U3, U4; 1/4" BSP
- Maximum inlet pressure : Port P - 50 bar
- Maximum back pressure : Port T - 3 bar
- Supply flow range : from 5 up to 20 litres/minute
- Maximum Hysteresis : +/- 0.5 bar
- Fluid : Mineral Oils ISO, HM and HV
- Contamination class : 21/16/13 ISO 4406/1999
- Fluid temperature range : from -20 up to +80°C

HYDRAULIC CIRCUIT DIAGRAM



BVR4 SHUTTLE BLOCK

HYDRAULIC CIRCUIT DIAGRAM



TYPICAL INSTALLATION DIMENSION

