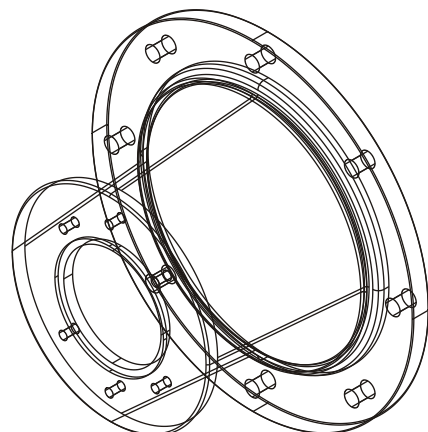
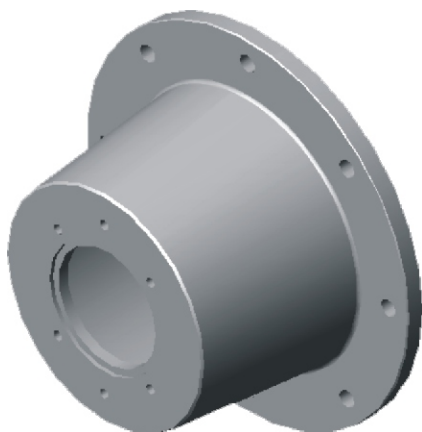
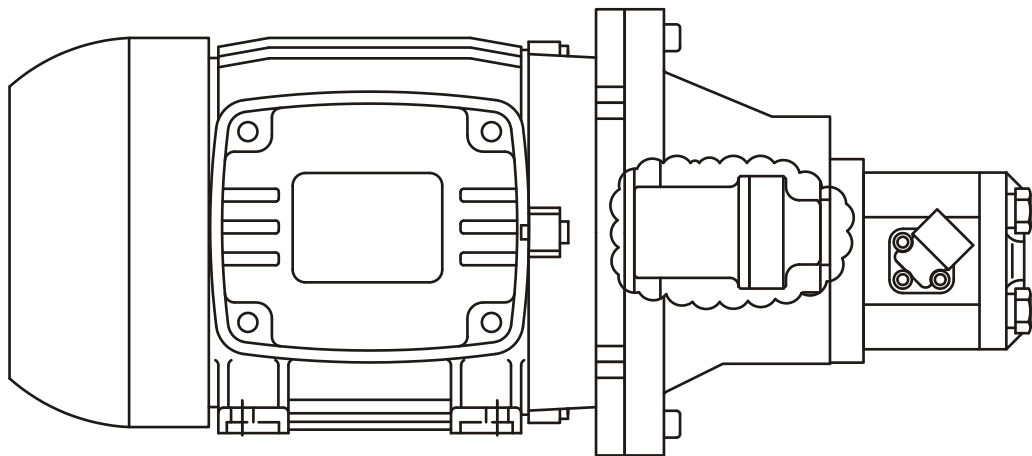


Tecnidra s.a.i.c.

Oleohidráulica

hydr-app[®]

Linternas y acoples para Bomba Hidráulica
y Motor Eléctrico



 **brevini**
fluid power

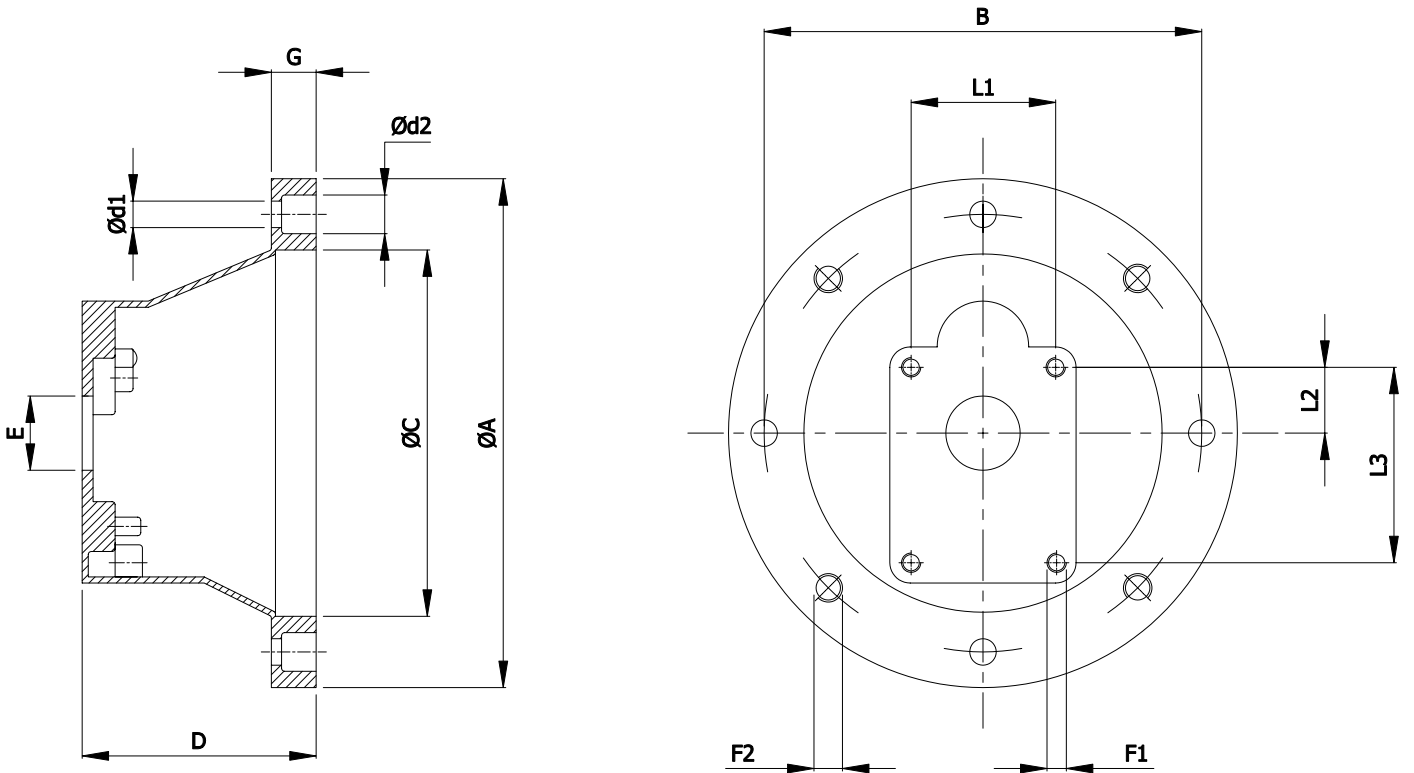
ADMINISTRACION , VENTAS Y SERVICIO :

Libertad 6206 ■ (1657) Loma Hermosa ■ Pcia. de Buenos Aires ■ Argentina

Tel: (54-11) 4769.0034 (Rot.) ■ Fax: (54-11) 4769.1006

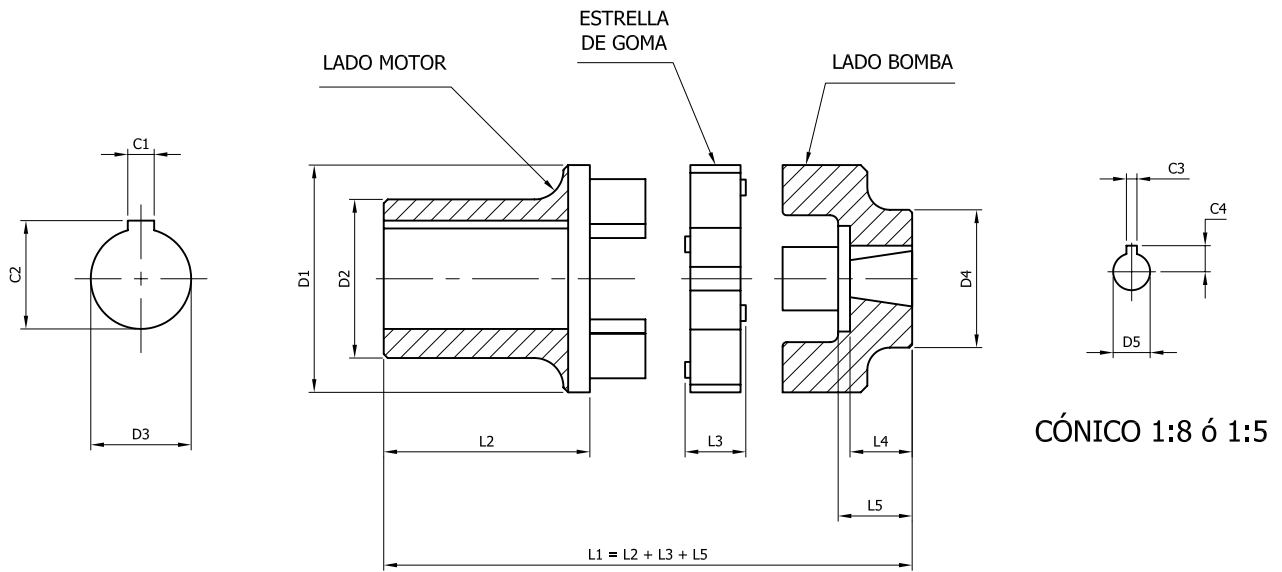
e-mail : info@tecnidra.com.ar ■ [http:// www.tecnidra.com.ar](http://www.tecnidra.com.ar)

LINTERNAS PARA BOMBAS CON BRIDA RECTANGULAR



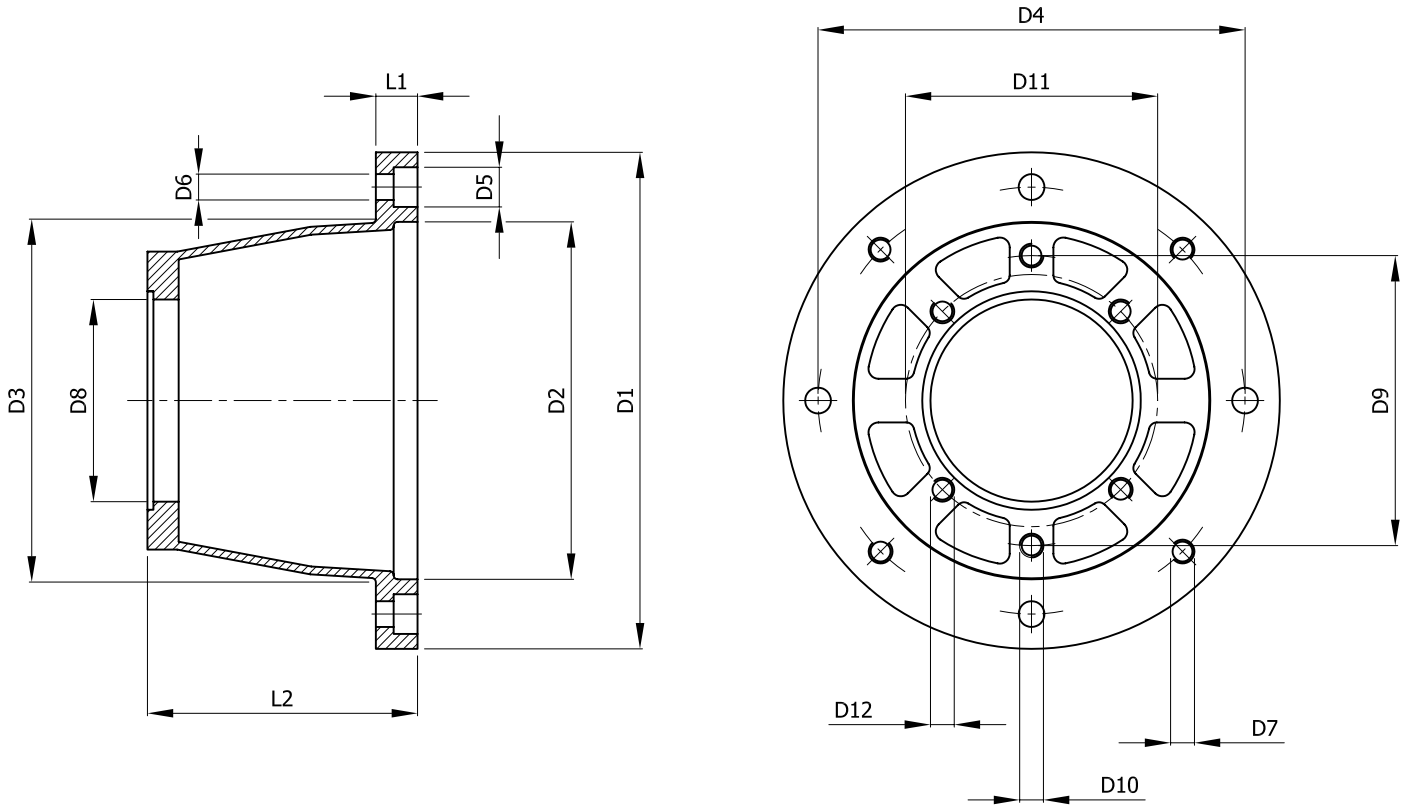
Potencia (HP @ 1450 rpm)	Carcaza motor	Bomba Grupo	Linterna Tipo	Código	DIMENSIONES										Acople Elástico				
					A	B	C	D	E	L1	L2	L3	F1	F2		d1	d2		
0.33 / 0.5	71	1	HL2	30100200	160	130	110	70	25.4	52.4	26.3	72	M6	M8x1.25	9	14	HE2		
		2	HL3S	30100100					36.5	71.5	32.35	96	M8	-	9		HE55		
0.75 / 1	80	1	HL5L	30202800	200	165	130	86	25.4	52.4	26.3	72	M6	M10x1.5	11.5	17	HE6		
		2	HL7SL	30203500					36.5	71.5	32.35	96	M8				HE46		
		ZF2	HLB12SL	30203700					80	72	34.5	100					HE120		
1.5 / 2	90	1	HL5L	30202800	200	165	130	86	25.4	52.4	26.3	72	M6	M10x1.5	11.5	17	HE41		
		2	HL7SL	30203500					36.5	71.5	32.35	96	M8				HE14		
		3	HL41	15040010					50.8	98.2	42.4	128	M10				HE242		
		ZF2	HLB12SL	30203700					80	72	34.5	100	M8				HE108		
3 / 5.5	100 / 112	1	HL8/1L	30302500	250	215	180	115	25.4	52.4	26.3	72	M6	M12x1.75	13	19	HE16		
		2	HL9L	30302600					36.5	71.5	32.35	96	M8				HE19		
		3	HL11	15050005					50.8	98.2	42.4	128	M10				HE48		
		ZF2	HLB17L	30303200					80	72	34.5	100	M8				HE11		
7.5 / 10	132	2	HL12	30400800	300	265	230	148	36.5	71.5	32.35	96	M8	M12x1.75	13	19.5	HE28		
		3	HL13	30400900					50.8	98.2	42.4	128	M10				HE30		
		3.5	HL14	30401100					60.3	114.3	49.3	149.5					HE31		
		ZF2	HLB22	30401400					80	72	34.5	100	M8				HE114		
15	160	2	HL15	15000001	350	300	250	187	36.5	71.5	32.35	96	-	-	18	-	HE32		
		3	HL16	30509200					50.8	98.2	42.4	128	-	-			HE34		
20		3.5	HL17	15000004					60.3	114.3	49.3	149.5	M10	-			HE35		
		4	HL18	30508700					63.5	143	64.5	188	M12	-			HE36		
25 / 30	180	3	HL16	30509200	350	300	250	187	50.8	98.2	42.4	128	-	-	18	-	HE37		
		3.5	HL17	15000004					60.3	114.3	49.3	149.5	M10	-			HE38		
		4	HL18	30508700					63.5	143	64.5	188	M12	-			HE39		
40	200	3	HL20/1	15010000	400	350	300	187	50.8	98.2	42.4	128	M10	-	-	-	-		
		3.5	HL22	15010001					60.3	114.3	49.3	149.5						-	-
		4	HL25	15010003					63.5	143	64.5	188						M12	-
50 / 60	225	3.5	HL29	15020000	450	400	350	217	60.3	114.3	49.3	149.5	M10	-	-	-	-		
		4	HL32	15020002					63.5	143	64.5	188	M12	-					
75	250	4	HL39	15070001	550	500	450	290	63.5	143	64.5	188	M12	-	-	-	-	Consultar	

ACOPLES ELÁSTICOS



Potencia (HP @ 1450 rpm)	Carcasa motor	Bomba Grupo	Acople	Código	D1	L1	Acople lado motor					Estrella de goma		Acople lado bomba									
							Código	D2	D3	L2	C1	C2	Código	L3	Código	D4	D5	L4	L5	C3	C4		
0.33 / 0.5	71	1	HE2	10200002	43	62	31303200	29	14	29.5	5	16.1	39200300	16	31303100	28	7.5	1:8	16.5	16.5	2.4	5.7	
		2	HE55	10200091	63	74.5	31323400	44	14	33.5	5	16.1	39200400	19	31301800	36	14.3	1:8	22	22	3.2	9.7	
0.75 / 1	80	1	HE6	10200006	43	78	31303300	36	19	45.5	6	21.6	39200300	16	31303100	28	7.5	1:8	16.5	16.5	2.4	5.7	
		2	HE46	10200042	63	85.5	31302600	37	19	44.5	6	21.7	39200400	19	31301800	36	14.3	1:8	22	22	3.2	9.7	
		ZF2	HE120	10200056		19	31302000	36	12.5	1:8	22	22		3	9.6								
1.5 / 2	90	1	HE41	10200037	63	78	31302500	44	24	36	8	27.2	39200400	19	31301700	30	7.59	1:8	16	23	2.4	5.7	
		2	HE14	10200012		85.5	31301500	44	24	44.5	8	27.2		19	31301800	36	14.3	1:8	22	22	3.2	9.7	
		ZF2	HE108	10200046		31302000	36	12.5	1:5	22	22	3		9.6									
3 / 5.5	100 / 112	1	HE16	10200014	63	106.5	31301600	51	28	64.5	8	31.2	39200400	19	31301700	30	7.59	1:8	16	23	2.4	5.7	
		2	HE19	10200017		105.5									31301800	36	14.3	1:8	22	22	3.2	9.7	
		3	HE48	10200084		119.5									31325500	44	18.36	1:8	28	36	4	12.5	
		ZF2	HE113	10200049		105.5									31300200	50	28	50.5	8	31.2	31301000	12.5	1:5
7.5 / 10	132	2	HE28	10200024	86	134	31300500	58	38	79	10	41.7	39200500	23	31300800	50	14.17	1:8	23	32	3.2	9.7	
		3	HE30	10200026		133.5									31301100		18.36		28		4	12.5	
		3.5	HE31	10200027		134									31301200		21.08		31.5		31.5	4.8	15.1
		ZF2	HE114	10200050		31301000									12.5		1:5		22		32	3	9.6
15 / 20	160	2	HE32	10200028	110	174	31303400	76	42	105	12	45.6	39200600	27	31303600	60	14.17	1:8	23	42	3.2	9.7	
		3	HE34	10200030											31303800		18.36		28		4	12.5	
		3.5	HE35	10200031											31303900		21.08		32		4.8	15.1	
		4	HE36	10200032											31304000		27.61		42		6.4	18.7	
		ZF2	HE116	10200052											31304100		12.9		1:5		20	3	9.6
25 / 30	180	3	HE37	10200033	110	174	31303500	76	48	105	14	52.1	39200600	27	31303800	60	18.36	1:8	28	42	4	12.5	
		3.5	HE38	10200034											31303900		21.08		32		4.8	15.1	
		4	HE39	10200035											31304000		27.61		42		6.4	18.7	
		ZF2	HE118	10200054											31304100		12.9		1:5		20	42	3

LINTERNAS PARA BOMBAS CON BRIDA "SAE"



Potencia (HP @ 1450 rpm)	Carcasa motor	Bomba Tipo	Linterna Tipo	Código	DIMENSIONES														
					D1	D2	D3	D4	D5	D6	D7	L1	L2	D8	D9	D10	D11	D12	
0.75 / 1	80 / 90	SAE A	HLC1	30200100	200	130	130	165	18	11	M10	17	126	82.55	106.4	M10	-	-	
1.5 / 2		SAE B	HLC2	30200200									130	101.6	146	M12	-	-	
3	100 / 112	SAE A	HLC3	30300100	250	180	179	215	20	13	M12	21	136	82.55	106.4	M10	-	-	
4		SAE B	HLC4	30306900										101.6	146	M12	127	M12	
5.5		SAE C	HLC4/1	30306800									160	127	181	M16	-	-	
7.5	132	SAE A	HLC5	30400100	300	230	215	265	20	13	M12	22	162	82.55	106.4	M10	-	-	
10		SAE B	HLC6	30406600										101.6	146	M12	127	M12	
		SAE C	HLC7	30407200									185	127	181	M16	162	M14	
15	160 / 180	SAE A	HLC8	30506700	350	250	210	300					198	82.55	106.4	M10	-	-	
20 / 25		SAE B	HLC9	30508300										101.6	146	M12	127	M12	
30		SAE C	HLC10	30507600									127	181	M16	162	M14		
40	200	SAE B	HLC12	30605400	400	300	280	350	18				20	101.6	146	M12	127	M12	
		SAE C	HLC11	30605000										127	181	M16	162	M14	
50	225	SAE B	HLC17	30704100	450	350	310	400					28	101.6	146	M12	127	M12	
60		SAE C	HLC13	30703900										127	181	M16	162	M14	
75 / 125	250 / 280	SAE C	HLC14A	30800900	550	450	430	500					35	290	127	181	M16	-	-

Para los acoples correspondientes, por favor consultar a nuestro departamento técnico.